

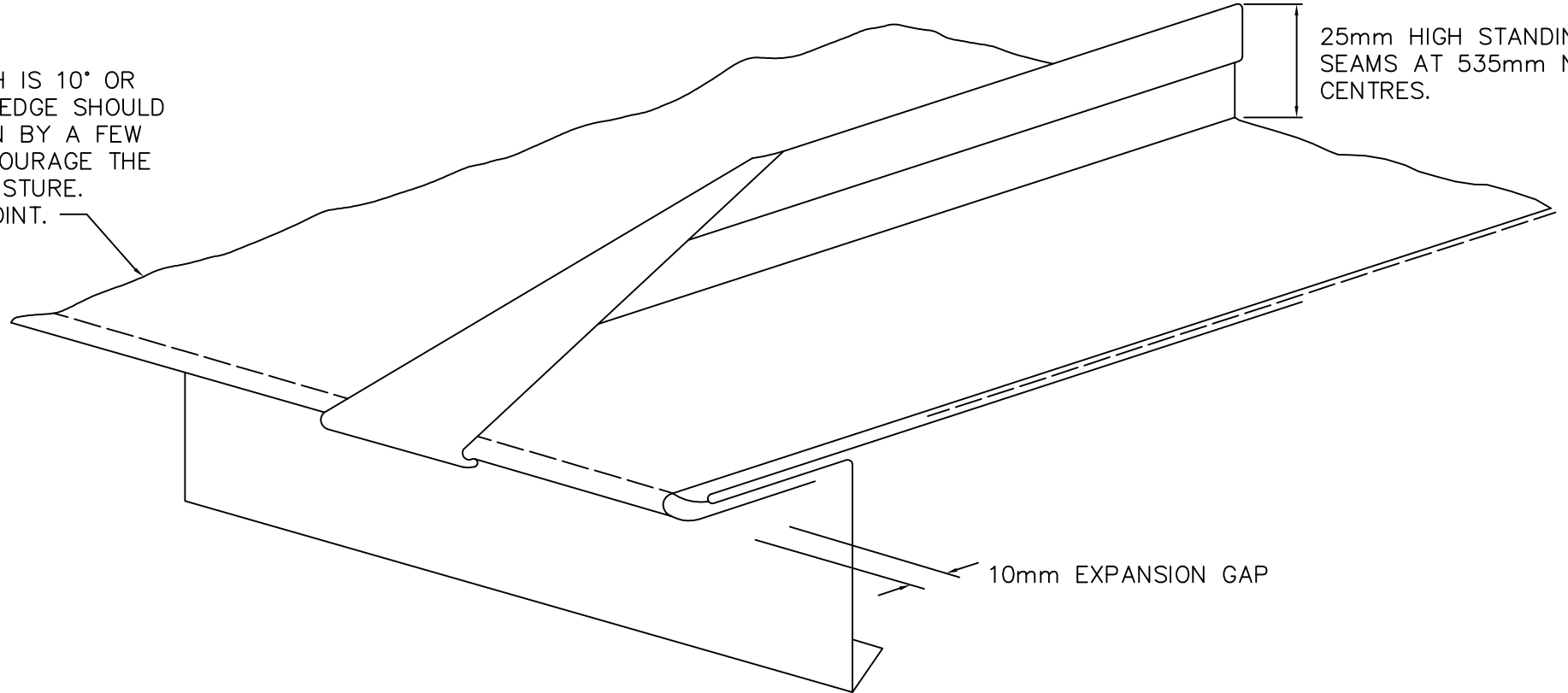
FOLLANSBEE LIMITED

EAVES TERMINATION -10° OR LESS

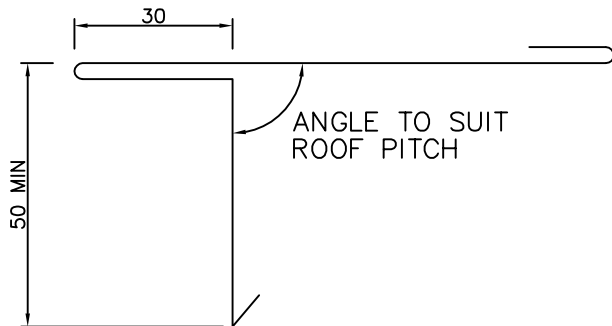
ON A SLOPE OF 10° OR LESS THE SEAM SHOULD BE LAYED OVER SO THAT THE 'OPEN' EDGE OF THE WELT FACES UPWARDS TO PREVENT A CAPILIARY FORMING.

25mm HIGH STANDING SEAMS AT 535mm NOMINAL CENTRES.

WHERE THE PITCH IS 10° OR LESS THE 'DRIP' EDGE SHOULD BE TURNED DOWN BY A FEW DEGREES TO ENCOURAGE THE SHEDDING OF MOISTURE. IE. FROM THIS POINT.



10mm EXPANSION GAP



ANGLE TO SUIT ROOF PITCH

CHECK EDGE TO PREVENT CAPILIARY ACTION ON COLD ROOFS.ON BUILT UP WARM ROOFS THE TOP SEALING LAYER CAN BE LAYED OVER THE EAVES DRIP,AS SHOWN DOTTED.WHERE A COMPOSITE PANEL DECK IS ADOPTED NEITHER THE CAPILIARY CHECK OR BITUTHERE ARE NECESSARY.