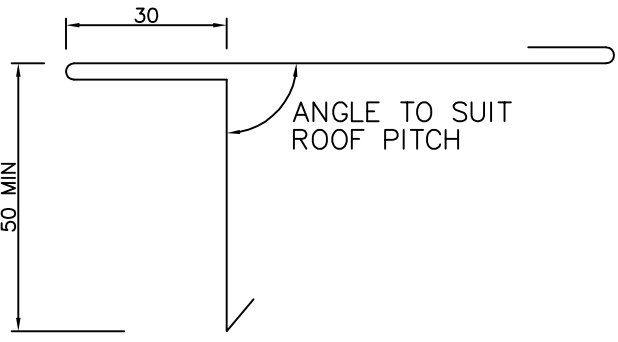
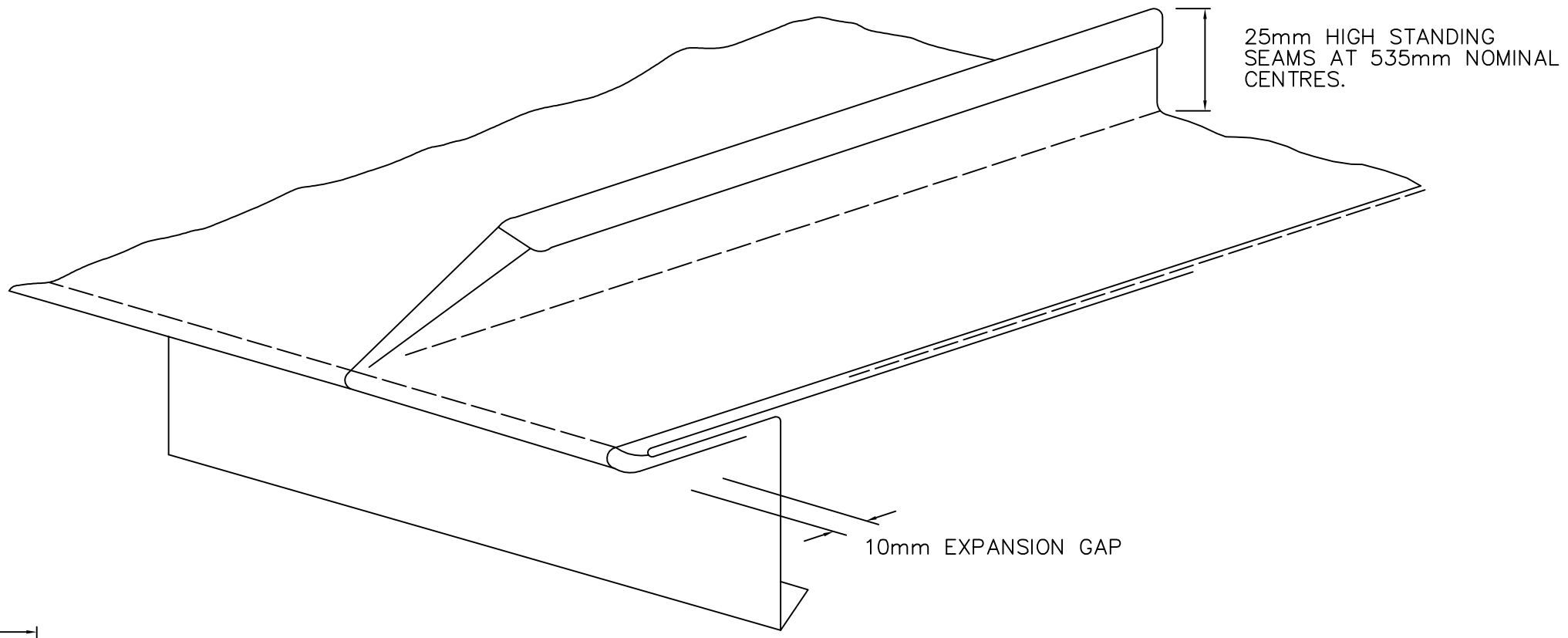


# FOLLANSBEE LIMITED EAVES TERMINATION -15° OR MORE



CHECK EDGE TO PREVENT CAPILIARY ACTION ON COLD ROOFS.ON BUILT UP WARM ROOFS THE TOP SEALING LAYER CAN BE LAYED OVER THE EAVES DRIP,AS SHOWN DOTTED.WHERE A COMPOSITE PANEL DECK IS ADOPTED NEITHER THE CAPILIARY CHECK OR BITUTHERE ARE NECESSARY.