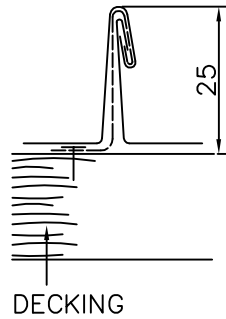


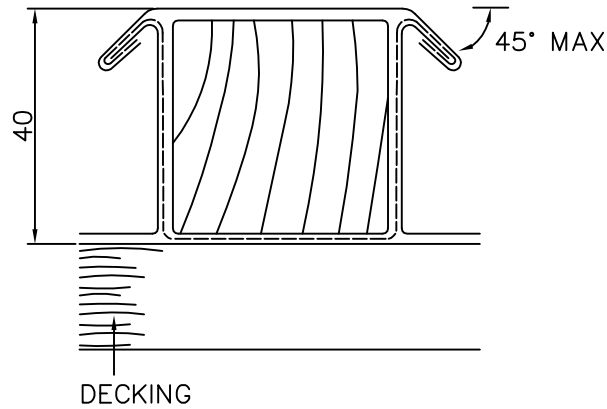
# FOLLANSBEE LIMITED STANDARD JOINTS & DECKING OPTIONS

## STANDING SEAM



SUITABLE FOR ROOFING (MIN PITCH 5°) AND CLADDING, STANDARD CENTRES – 535mm (NOMINAL)

## BATTEN ROLL

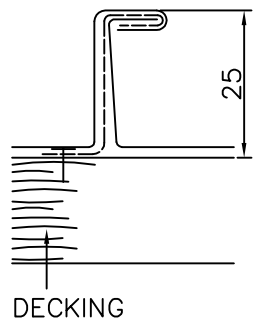


SUITABLE FOR ROOFING (MIN PITCH 3°) AND CLADDING. A MORE VISIBLE JOINT, BUT IS LESS ECONOMIC THAN A SEAMED JOINT. STANDARD CENTRES – 550mm (NOMINAL)

## DECKING OPTIONS

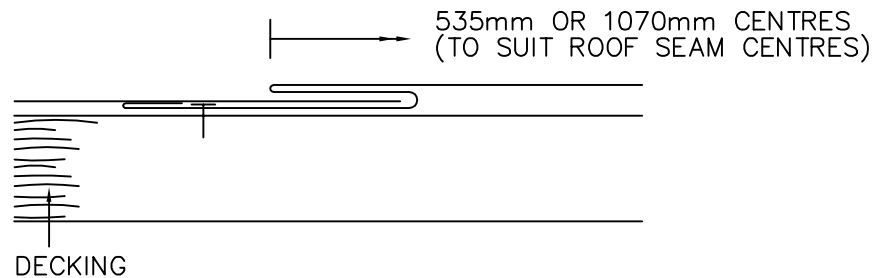
1. COLD ROOF BUILD UP –  
TCS  
GEOTEXTILE  
18mm WBP PLYWOOD OR 25mm SAWN TREATED SOFTWOOD
2. WARM ROOF BUILD UP –  
TCS  
GEOTEXTILE  
SEALING LAYER  
18mm WBP PLYWOOD  
INSULATION  
VAPOUR BARRIER  
STRUCTURAL DECK
3. COMPOSITE DECK

## ANGLED SEAM



ONLY SUITABLE FOR VERTICAL WORK, TO ACHIEVE A FLATTER SURFACE TO THE TCS TRAY.

## CASSETTE JOINT



ONLY SUITABLE FOR FASCIAS AND SOFFITS